

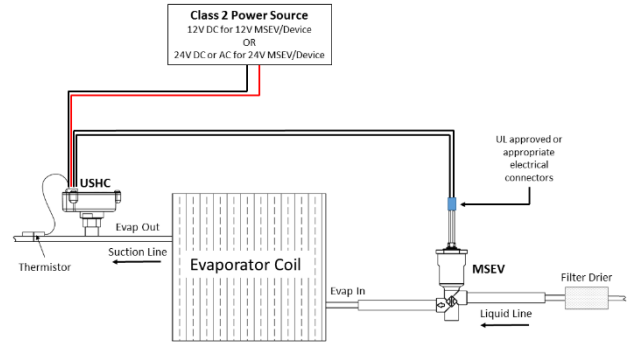


Introduction

The Modular Silicon Expansion Valve (MSEV) is an electronically controlled, normally closed and one directional flow valve. It can be used for refrigerant mass flow control for today’s industry-standard HVAC and Refrigeration systems. The MSEV provides precise superheat control and quick mass flow adjustments through a closed loop control methodology achieved with DMQ’s Universal SuperHeat Controller (USHC). Embedded with the silQflo® Silicon Servo Valve (SSV), the MSEV is the fastest responding refrigerant expansion valve in the industry.

Principle of Operation

The MSEV is a two-stage proportional control valve. The first stage silQflo® SSV microvalve acts as a pilot valve that controls the second stage spool valve. When the microvalve receives a PWM signal, it modulates to change the pressure differential across the second stage spool valve. The spool will move to balance the pressure differential, effectively changing the orifice opening of the valve to control the desired amount of refrigerant flow. The maximum effective orifice allowed by the spool in the complete open position defines the maximum valve cooling capacity. The MSEV comes in a single footprint that accommodates different spool designs to cater to various valve capacity.



Features and Benefits

- Fast response
- Precise superheat control
- Compact and light weight
- Single Footprint for all capacities
- High Durability and Reliability
- Closed Loop Control
- Cost Effective Electronic Control
- UL listed

Applications

- **Refrigeration Applications:** Display cases, Freezers, Walk-in coolers, Reach-in coolers and Residential refrigerators applications
- **HVAC Applications:** Cooling, Residential and Commercial applications
- **Automotive Applications:** Auto air conditioning, Battery cooling application

Technical Specifications

Suitable Environmental Temperature	-40°F ~ 158°F (-40°C ~ 70°C)
Suitable Environmental Humidity	< 95% RH
Voltage Input	12V _{rms} ±20% (for a 12V valve) or 24V _{rms} ±20% (for a 24V valve) Pulse Width Modulated 0 - 100%, 15 – 200 Hertz
Power Consumption	Max power 10±1W, Nominal 5±1 W t _{operating} ≥0.5 S
Response Time	250 ms (from fully close to fully open)
Maximum Operating Pressure	500 psi (3.45 MPa)
Proof Pressure	700 psi (4.83 MPa)
Burst Pressure	4000 psi (27.58 MPa)
Refrigerant Compatibility	R410A, R404A, R134A, R22 call for all other refrigerants
Refrigerant Oil Compatibility	Polyolester (POE); Polyalkylene Glycol (PAG); Mineral Oil (MO)
Electrical Connections	Two 20 AWG, UL 1332 wires with length of 6.5 inches (165mm)
Weight	Approx. 6.8 oz (193grams)
Product listing and certifications	UL 429, IP67

AXXV-U1XX

12V = 12 Volts
24V = 24 Volts

Capacity Code

Nominal Capacity Tables

MSEV Model Number	R410A		R22		R404A		R134A	
	Nominal, Ton	Capacity, Ton (kW)	Nominal, Ton	Capacity, Ton (kW)	Nominal, Ton	Capacity, Ton (kW)	Nominal, Ton	Capacity, Ton (kW)
AXXV-U112	¾	1.07 (3.76)	¾	0.89 (3.13)	½	0.63 (2.20)	½	0.66 (2.33)
AXXV-U116	2	2.65 (9.31)	1 ¾	2.24 (7.89)	1	1.58 (5.56)	1 ½	1.72 (6.07)
AXXV-U118	3	3.44 (12.09)	2 ½	2.92 (10.26)	1 ¾	2.06 (7.23)	2	2.25 (7.94)
AXXV-U120	3 ¾	4.23 (14.87)	3	3.59 (12.64)	2	2.54 (8.91)	2 ½	2.79 (9.80)
AXXV-U124	5	5.81 (20.43)	4	4.95 (17.39)	3	3.49 (12.26)	3	3.85 (13.54)

The capacity tables for each refrigerant type is based on vapor free, 100 °F liquid refrigerant entering the expansion valve, a superheat of 4 °F, and the evaporator temperature at 40 °F. Please call for more information on valve capacity and sizing.

Physical Dimension and Product Markings

